



# CombiProtect Fibra

Wired combined indoor motion and glass break detector.



The device is compatible only with hubs supporting Fibra protocol. Find the detailed information by QR code or the link:

<https://ajax.systems/support/devices/combiprotect-fibra/>



CombiProtect Fibra is the device of the new Fibra wired product line. Such devices can only be purchased, installed and administered by accredited Ajax partners.



Up to 12 m detection distance and 88.5°/80° viewing angles



Up to 9 m glass break detection distance with 180° horizontal detection angle



Immunity to pets with a weight of up to 20 kg and height up to 50 cm



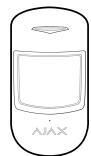
Filter for false alarms caused by dogs barking or the sound of passing trucks



SmartDetect software algorithm to prevent false alarms

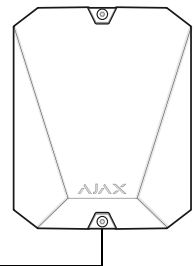


Two-factor glass break verification algorithm: by low and high frequencies



## Fibra

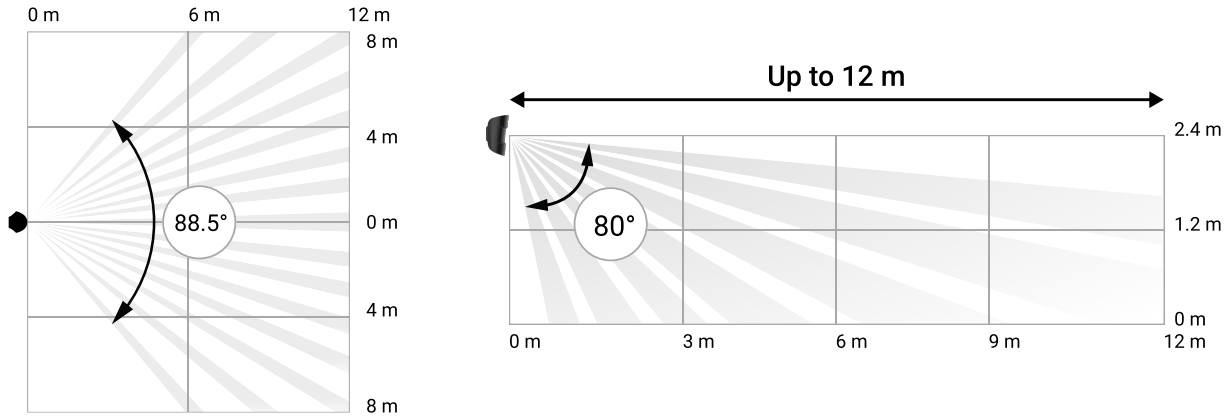
### communication technology



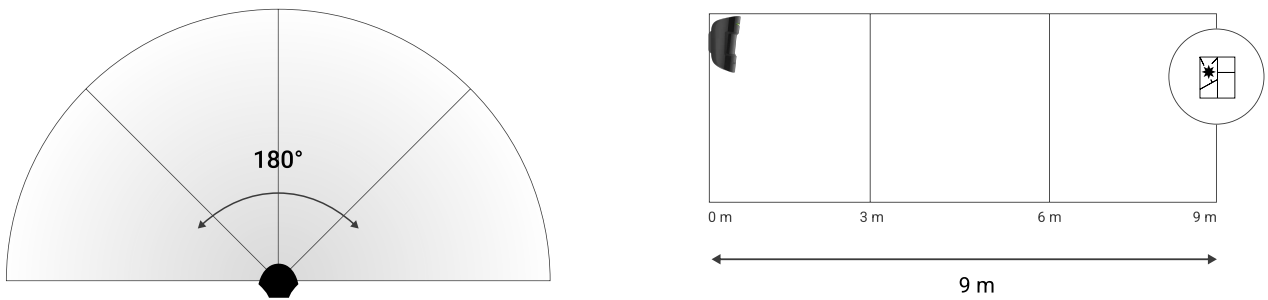
**Fibra** is a **two-way wired protocol**, ensuring fast and secure communication between hubs and devices. Based on a **bus connection method**, Fibra delivers instant data-rich alarms: security companies and users know which device was triggered, when and where it happened.

Fibra features **encryption** and **authentication** to prevent forgery, as well as **polling** to display device's status in real time. Supporting **up to 2,000 m** of wired connectivity, Fibra is ready to protect any facilities, and deliver **the best user experience** for both end users and installers.

# PIR sensor coverage angles



# Glass break sensor coverage angle



# System features



Connecting to a hub via bus method



Up to 2,000 m of two-way encrypted communication

12-300  
sec

Adjustable polling interval



Pairing with security system via QR code or bus scanning




Configuring via a smartphone or desktop app



Tampering alarm notification

# Technical specifications

<p>Compliance with standards</p> <p>EN 50131 (Grade 2) PD 6662:2017</p>	<p>Compatibility</p> <p><b>Hubs</b> Hub Hybrid (2G) Hub Hybrid (4G)</p> <p><b>Range extenders</b> no</p>
<p>Communication with control panel</p> <p> <b>Fibra communication technology</b></p> <p><b>Communication range</b> up to 2,000 m with U/UTP cat.5, 4x2x0.51 cable</p> <p><b>Polling interval</b> 12–300 s Adjusted by PRO or user with admin rights in the Ajax app</p>	<p>Detection</p> <p><b>Sensing elements</b> PIR sensor Electret microphone</p> <p><b>Motion detection distance</b> up to 12 m</p> <p><b>Motion detection angles</b> horizontal – 88.5° vertical – 80°</p> <p><b>Pet immunity</b> weight: up to 20kg height: up to 50 cm SmartDetect software algorithm filtering false alarms</p> <p><b>Glass break detection distance</b> up to 9 m</p> <p><b>Horizontal glass break detection angle</b> 180°</p> <p><b>Sensitivity</b> 3 levels Adjusted by PRO or user with admin rights in the Ajax app individually for motion and glass break sensors</p>

<p>Power supply</p> <p>24 V<math>\overline{=}</math>, up to 60 <math>\mu</math>A</p>	<p>Installation</p> <p><b>Operating temperature range</b> from -10°C to +40°C</p> <p><b>Operating humidity</b> up to 75%</p> <p><b>Protection class</b> IP50</p>
<p>Enclosure</p> <p><b>Colour</b> white, black</p> <p><b>Dimensions</b> 110 × 67 × 62 mm</p> <p><b>Weight</b> 85 g</p> <p><b>Tampering alarm</b> yes</p>	<p>Complete set</p> <p>CombiProtect Fibra SmartBracket mounting panel Installation kit Quick Start Guide</p>